

CURRENT SENSOR APPLICATION



CURRENT SENSOR Application

High-frequency Current Detection
高频电流检测

Founded in 2013, Sinomags is dedicated to the development and production of magnetic sensors. We have four subsidiary companies in Germany, Wuxi, Ningbo, and Bengbu.

The company's R&D team consists of more than 250 R&D personnel with a number of experts in the field of magnetism and power electronics as the core, covering the design development and production of the whole industrial chain from xMR wafers to sensor modules.

1200/250 employees

1200 employees, 250 R&D staff

500 Mpcs

Wafer capacity 500 million pcs/year

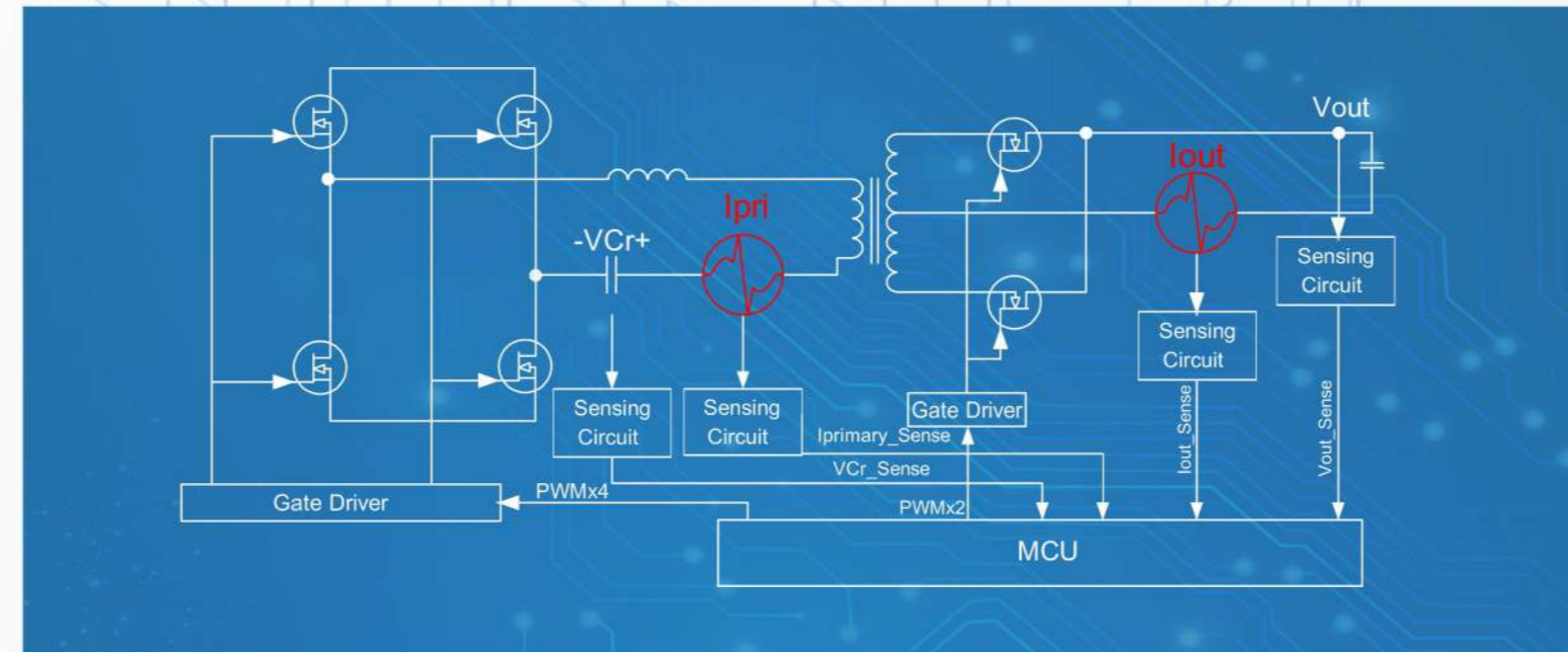
100 Mpcs

2022 **current sensor** production capacity exceeds 100 million

250 Mpcs

Cumulative **current sensor** shipments of approximately 250 million units per year

High-frequency Current Detection



— PRODUCT —

◎ Features

- Very high frequency band width, 2 MHz
- Very fast response time, 50 ns
- Coreless design enables the small dimensions
- OCD (over current detection) function available
- Common-mode field rejection. (core-less design)



- **Wuxi**
R&D & Headquarter
- **Bengbu**
Production for Current Sensor
- **Ningbo**
R&D & Production for Current Sensor
- **Mainz**
Waferfab for magnetic sensor
- **Wetzlar**
R&D Center for magnetic sensor

◎ Electrical parameters

Product	Out		Vcc (V)	U _{ESD} (kV)	U _d (kV)	I _{pn} (A)	I _{pm} (A)	f _{band} (kHz)	t _r (μs)	Acc. (%FS)
	Voltage	Current								
STK-616KMF	○		3.3, 5	4	3.6	40~65	40~65	1000	0.5	3
STK-616ZMF	○		3.3, 5	4	3.6	20~50	20~50	2000	0.05	3.5
STK-616TMF	○		3.3, 5	4	3.6	40~65	40~65	1500	0.3	3.5
STK-600/F	○		3.3, 5	4	4	50	200~400	800	0.5	3.5
STK-PL/AG	○		5	4	5	10~50	25~125	1000	0.2	2
STK-HD/SG	○		5	4	4	3~10	7.5~25	600	0.4	1.5
STK-HD/K/G	○		5	4	4	20~50	50~125	1000	0.4	1.5
STK-HD/P/G	○		3.3, 5	4	4	5~30	12.5~75	1000	1.0	3
STB-LF/G		○	±15	4	4	100	200	1000	0.2	3
STK-HO/B	○		5	4	4	30~130	75~350	1000	0.2	3